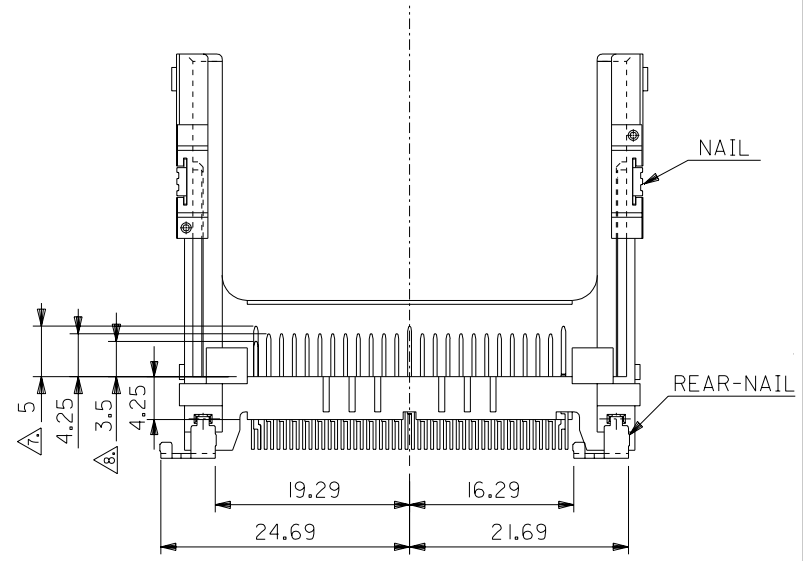
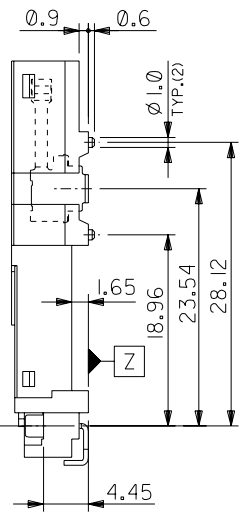
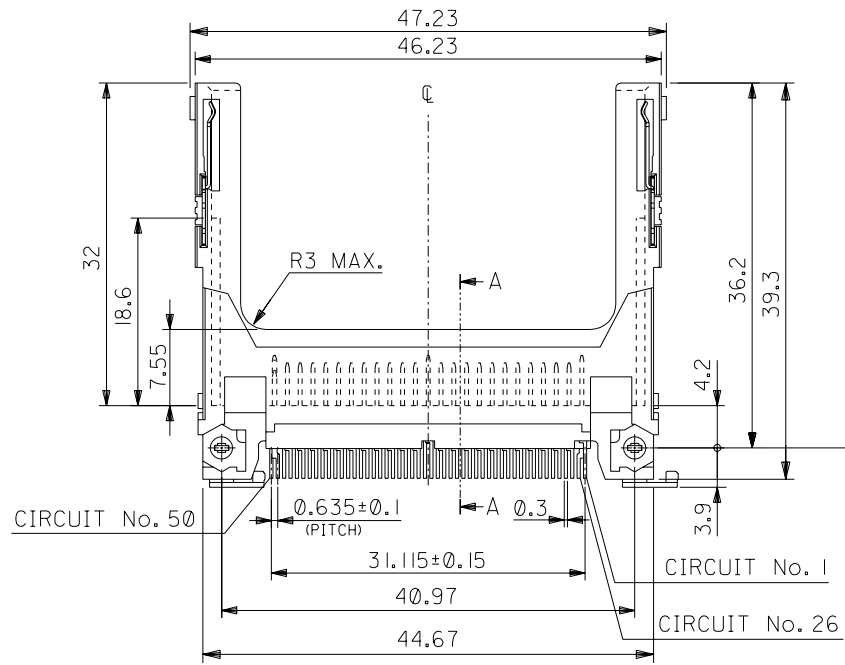
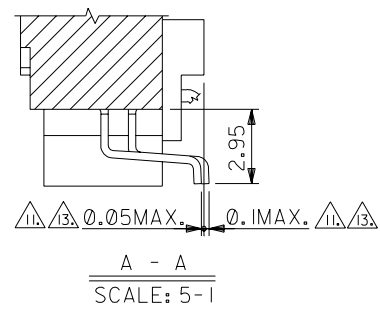
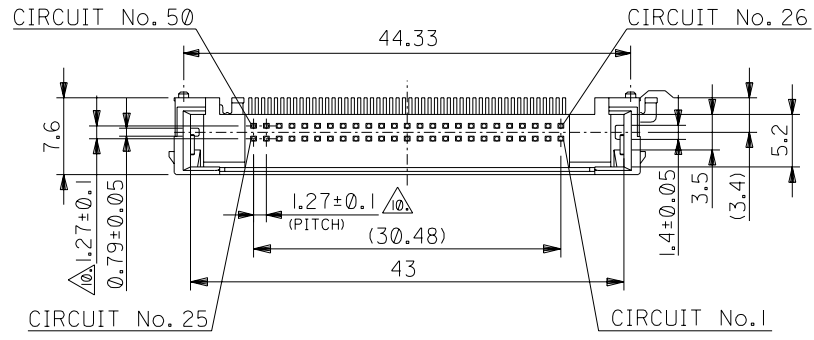


DWG. NO. SD-55358-014



DO NOT SCALE DRAWING

EC NO. DRWN: CHK: APPR:	EC NO. DRWN: CHK: APPR:	EC NO. DRWN: CHK: APPR:	EC NO. DRWN: CHK: APPR:
RELEASED	RELEASED	RELEASED	RELEASED
EC NO. J2004-3952	EC NO. J2004-3952	EC NO. J2004-3952	EC NO. J2004-3952
DRWN: M.NABEI '04/04/22	DRWN: M.NABEI '04/04/22	DRWN: M.NABEI '04/04/22	DRWN: M.NABEI '04/04/22
CHK: K.TOJO '04/04/22	CHK: K.TOJO '04/04/22	CHK: K.TOJO '04/04/22	CHK: K.TOJO '04/04/22
APPR: M.SASAO '04/04/22	APPR: M.SASAO '04/04/22	APPR: M.SASAO '04/04/22	APPR: M.SASAO '04/04/22

MATERIAL 材料	SEE NOTES
FINISH 仕上り	SEE NOTES
WIRE RANGE 適用線径範囲	#
INS. RANGE 被覆外径	#

GENERAL TOLERANCES: (UNLESS SPECIFIED) 一般公差	
10 UNDER 未満	±0.2
10 OVER 30 UNDER 以上 未満	±0.25
30 OVER 以上	±0.3
ANGLE 角度	±3°

55358-5028		55358-5029		55358-50**	
HARD TRAY PACKAGE		MATERIAL No.		MODEL No.	
SCALE 2 - 1	DESIGN UNITS <input checked="" type="checkbox"/> mm <input type="checkbox"/> INCH	DIMENSIONS: <input type="checkbox"/> mm <input type="checkbox"/> INCH <input type="checkbox"/> mm <input checked="" type="checkbox"/> INCH ONLY		SHT	REV
THIRD ANGLE PROJECTION	DRAWN BY & DATE M.NABEI '04/04/22		TITLE: CF CARD CONN. 50P HEADER ASS'Y (TYPE I/II, NORMAL) -LEAD FREE-		
CHECKED BY & DATE K.TOJO '04/04/22		APPROVED BY & DATE M. Sasao '04/04/22		MOLEX INCORPORATED	
CAD FILENAME SD-55358-014.S01	MATERIAL NO. SEE CHART	DRAWING NO. SD-55358-014	SHEET NO. 1 OF 2		
THIS DRAWING CONTAINS INFORMATION THAT IS PROPRIETARY TO MOLEX INCORPORATED AND SHOULD NOT BE USED WITHOUT WRITTEN PERMISSION.					SIZE B

SD-55358-014.S01

DWG. NO. SD-55358-014

F

D

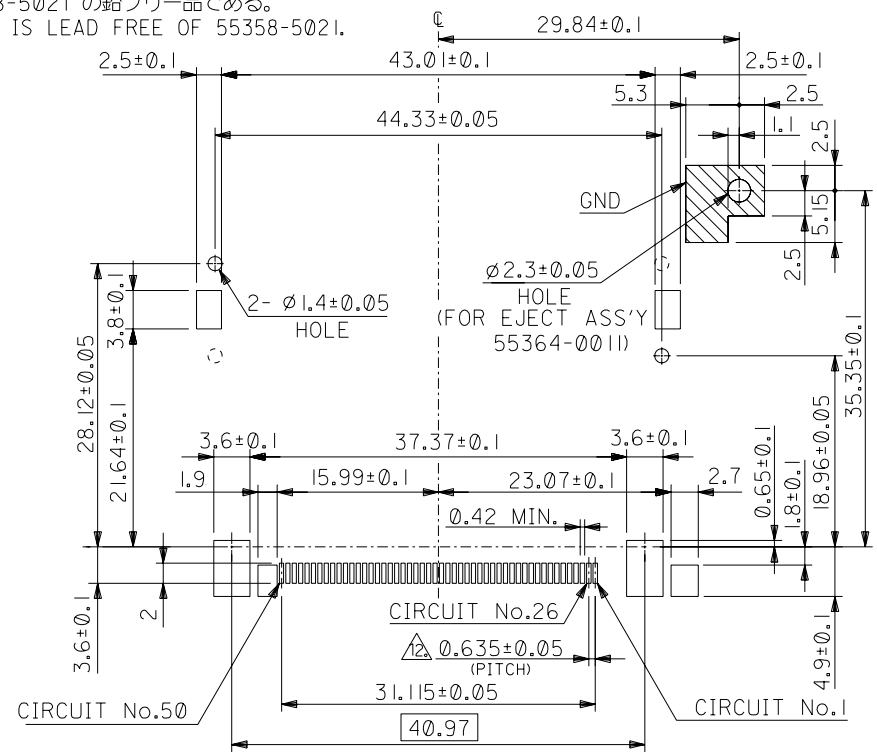
C

B

DO NOT SCALE DRAWING

- 注) 1. 材質 MATERIAL
 ハウジング: ガラス入りLCP UL94V-0
 HOUSING: LIQUID CRYSTAL POLYMER G.F. UL94V-0
 ピン: リン青銅
 PIN: PHOSPHOR BRONZE
 ネール: リン青銅 (t0.3)
 NAIL: PHOSPHOR BRONZE (t0.3)
 リヤネール: リン青銅 (t0.48)
 REAR-NAIL: PHOSPHOR BRONZE (t0.48)
2. メッキ仕様 PLATING
 ピン
 PIN 接点部: パラジウムニッケル下地、金メッキ
 CONTACT AREA: GOLD OVER PALLADIUM-NICKEL
 半田付け部: 錫メッキ
 SOLDER TAIL AREA: TIN
 下地メッキ: ニッケルメッキ
 UNDERPLATING: NICKEL OVER ALL
 ネール
 NAIL 接点部: 金メッキ
 CONTACT AREA: GOLD
 半田付け部: 錫メッキ
 SOLDER TAIL AREA: TIN
 下地メッキ: ニッケルメッキ
 UNDERPLATING: NICKEL OVER ALL
 リヤネール
 REAR-NAIL 錫メッキ
 TIN
 下地メッキ: ニッケルメッキ
 UNDERPLATING: NICKEL OVER ALL
3. 推奨基板厚: t=0.8 MIN.
 RECOMMENDED P.C.B. THICKNESS: t=0.8 MIN.
4. 適合カード厚: 3.3±0.1 (TYPE I) AND 5 MAX. (TYPE II)
 RECOMMENDED CARD THICKNESS: 3.3±0.1 (TYPE I) AND 5 MAX. (TYPE II)
5. 適合カード幅: 42.8±0.1
 RECOMMENDED CARD WIDTH: 42.8±0.1
6. ハウジング色: 黒
 HOUSING COLOR: BLACK
7. 寸法適用極: 1,13,38,50
 THIS DIMENSION APPLIES TO CIRCUIT NUMBERS 1,13,38 AND 50.
8. 寸法適用極: 25,26
 THIS DIMENSION APPLIES TO CIRCUIT NUMBERS 25 AND 26.
9. ピンの倒れは、ピン根元を基準に全方向へ0.1 MAX.とする。
 PIN TIP LEAN TOWARD ANY DIRECTION NOT TO EXCEED 0.1 WHEN MEASURED FROM PIN BASE.
10. ピン根元に適用する。
 THIS DIMENSION TO BE MEASURED AT PIN BASE.

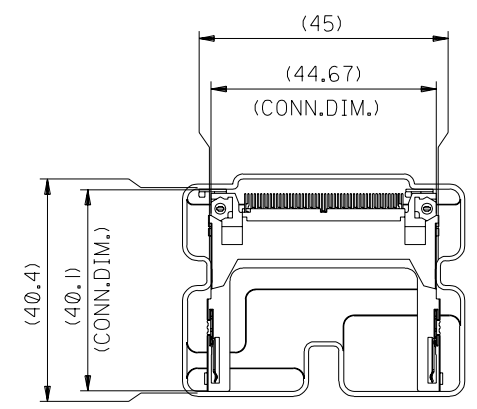
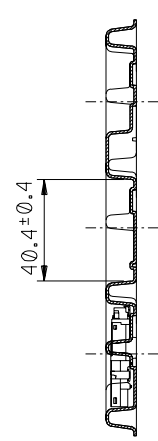
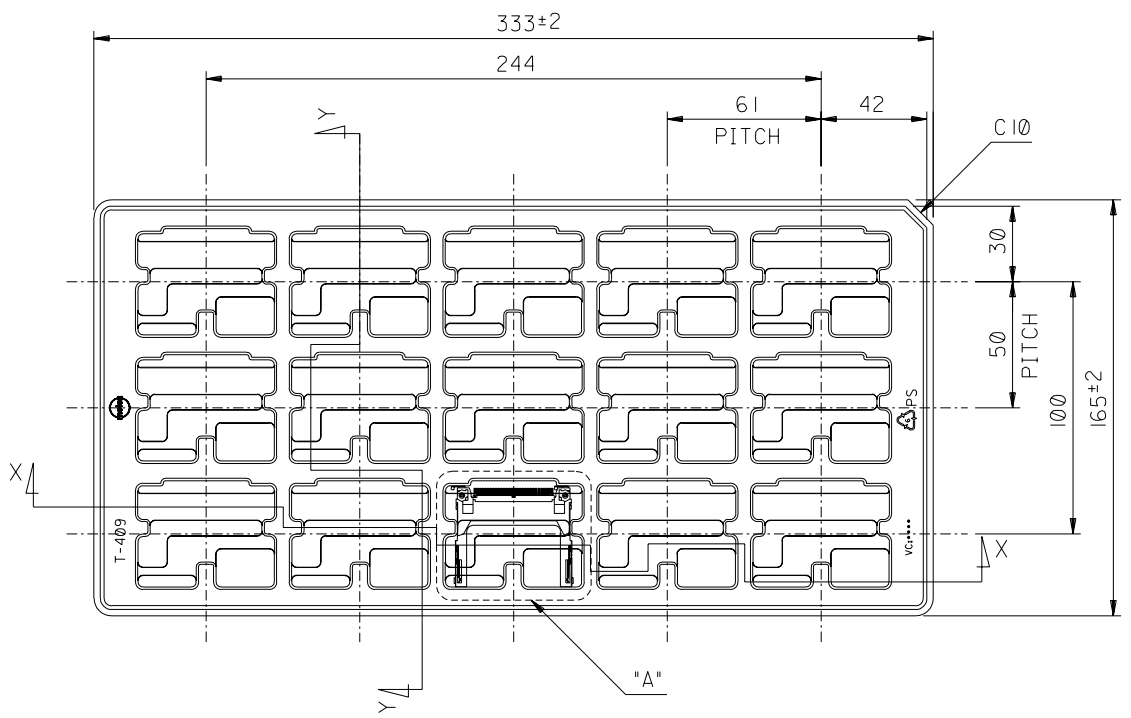
11. ソルダータールは、Z面を基準とし上へ0.05下へ0.1の範囲にあり、且ツルダータールの平坦度は、0.1 MAX.とし、タール先端にて測定する。
 SOLDER TAILS TO BE WITHIN 0.05 UPWARD AND 0.1 DOWNWARD FROM Z-DATUM PLACE, AND COPLANARITY OF SOLDER TAILS TO BE WITHIN 0.1. MEASUREMENT POINT IS SOLDER TAILS TIP.
12. 公差非累積
 NON-CUMULATIVE
13. テールとネール、リヤネールを併せた平坦度は、0.1 MAX.とする。
 TOTAL COPLANARITY OF SOLDER TAILS, NAILS AND REAR-NAILS TO BE 0.1 MAX.
14. 本製品は 55358-5021 の鉛フリー品である。
 THIS PRODUCT IS LEAD FREE OF 55358-5021.



基板推奨寸法
 RECOMMENDED P.C.B. LAYOUT

EC NO. DRAWN: CHK'G: APPR:		EC NO. DRAWN: CHK'G: APPR:		EC NO. DRAWN: CHK'G: APPR:		EC NO. DRAWN: CHK'G: APPR:		EC NO. DRAWN: CHK'G: APPR:		EC NO. DRAWN: CHK'G: APPR:		EC NO. DRAWN: CHK'G: APPR:		EC NO. DRAWN: CHK'G: APPR:									
MATERIAL 材料										GENERAL TOLERANCES: (UNLESS SPECIFIED) 一般公差		SCALE 2 - 1		DESIGN UNITS mm INCH		MODEL NO. 55358-50**		DIMENSIONS: mm INCH mm ONLY		SHT 2		REV	
FINISH 仕上げ										10 UNDER 未満 ±0.2		DRAWN BY & DATE M.NABEI '04/04/22		THIRD ANGLE PROJECTION		TITLE: CF CARD CONN. 50P HEADER ASS'Y (TYPE I/II, NORMAL) -LEAD FREE-							
WIRE RANGE 適用電線範囲										10 OVER 30 UNDER 未満 ±0.25		CHECKED BY & DATE K.TOJO '04/04/22		Molex		MATERIAL NO.		DRAWING NO. SD-55358-014		SHEET NO. 2			
INS. RANGE 被覆外径										30 OVER 以上 ±0.3		APPROVED BY & DATE M. Saito '04/04/22		CAD FILENAME SD-55358-014.S02		THIS DRAWING CONTAINS INFORMATION THAT IS PROPRIETARY TO MOLEX INCORPORATED AND SHOULD NOT BE USED WITHOUT WRITTEN PERMISSION.		SIZE B		EN-02J(097) MXJ-54			

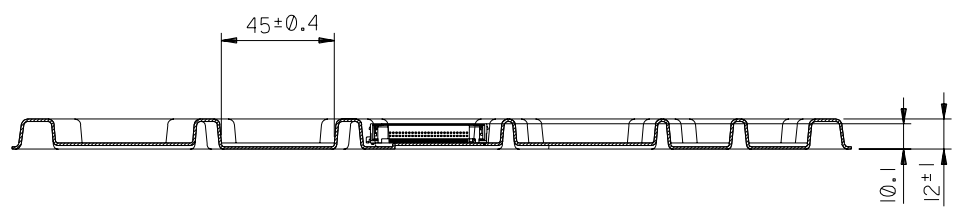
F
E
D
C
B
SD-55358-014.S02



DETAIL A
(SCALE 1-1)

NOTES

- 一般公差：±0.5
GENERAL TOLERANCES: ±0.5
- 反り：2MAX.
WARP: 2MAX.
- 梱包数：15個
PACKAGING QUANTITY: 15PCS.
- 本製品は 55358-5026/-5036 の鉛フリー品である。
THIS PRODUCT IS LEAD FREE OF 55358-5026/-5036.



SECT. X-X

15	55358-5039	55358-5038	50
	55358-5029	55358-5028	
梱包数量 QUANTITY	コネクタ番号 CONNECTOR No.	製品番号 MATERIAL No.	極数 CKT.

64 NO. DRWN: CH'K: APPR:		63 NO. DRWN: CH'K: APPR:		62 NO. DRWN: CH'K: APPR:		61 NO. DRWN: CH'K: APPR:		RELEASED 60 NO. J2004-3952 DRWN: M.NABEI CH'K: K.TOJO APPR: M.SASAO		MATERIAL 材料 POLYSTYRENE (t=1.0)		GENERAL TOLERANCES: (UNLESS SPECIFIED) 一般公差 10 UNDER 未満 ±0.2 10 OVER 以上 30 UNDER 未満 ±0.25 30 OVER 以上 ±0.3 ANGLE 角度 ±3°		SCALE 1:2 DESIGN UNITS <input checked="" type="checkbox"/> mm <input type="checkbox"/> INCH MODEL NO. 投影角 <input checked="" type="checkbox"/> 1ST ANGLE PROJECTION DIMENSIONS: <input type="checkbox"/> mm <input type="checkbox"/> INCH <input checked="" type="checkbox"/> mm <input type="checkbox"/> INCH ONLY SHT REV 異なれば CAD ONLY		DRAWN BY & DATE M.NABEI '04/04/22 CHECKED BY & DATE K.TOJO '04/04/22 APPROVED BY & DATE M.SASAO '04/04/22 CAD FILENAME SD-55358-016.S01		TITLE: TRAY FOR CF CARD CONN. 50P HEADER HS'G ASS'Y -LEAD FREE- MOLEX INCORPORATED		MATERIAL NO. SEE CHART DRAWING NO. SD-55358-016 SHEET NO. 1 OF 1		THIS DRAWING CONTAINS INFORMATION THAT IS PROPRIETARY TO MOLEX INCORPORATED AND SHOULD NOT BE USED WITHOUT WRITTEN PERMISSION.		SIZE B	
DO NOT SCALE DRAWING																									